

POLICAR

miniature electric motor racing



slot CARS ACCESSORIES

1:32·SCALE



policar.it



**Galileo
Engineering**
Progettazione elettronica

Galileo Engineering srl
via Cavallotti 16
42122 Reggio Emilia, Italy
Tel (+039) 0522 920496
Tel (+039) 0522 516244
Fax (+039) 0522 920496
E-mail: info@slot.it



Index

| | |
|----|-----------------------------------|
| 4 | FORMULA 1 Spare Parts |
| 8 | LOTUS 72 Spare Parts |
| 11 | MARCH 701 Spare Parts |
| 13 | 312 B2 Spare Parts |
| 16 | MONOPOSTO Spare Parts |
| 18 | FORMULA 1 Tyres |
| 19 | FORMULA 1 Wheels |
| 20 | FORMULA 1 White kit |
| 21 | Cars Spare Parts |
| 22 | HOME RACERS Spare Parts |
| 24 | POLICAR TRACK Racing Track System |



FORMULA 1 Spare Parts



PCH01
F1 '70 narrow motor mount

PCH03
F1 '70 narrow motor mount



F1 '70 assembled
narrow motor mount

PCH01-45z16 axle 45mm, bevel gears, Z16 crown

PCH01-45z17 axle 45mm, bevel gears, Z17 crown

PCH01-45z18 axle 45mm, bevel gears, Z18 crown

PCH01-51z16 axle 51mm, bevel gears, Z16 crown

PCH01-51z17 axle 51mm, bevel gears, Z17 crown

PCH01-51z18 axle 51mm, bevel gears, Z18 crown



F1 '70 assembled
wide motor mount

PCH03-45z16 axle 45mm, bevel gears, Z16 crown

PCH03-45z17 axle 45mm, bevel gears, Z17 crown

PCH03-45z18 axle 45mm, bevel gears, Z18 crown

PCH03-51z16 axle 51mm, bevel gears, Z16 crown

PCH03-51z17 axle 51mm, bevel gears, Z17 crown

PCH03-51z18 axle 51mm, bevel gears, Z18 crown



PCH08
F1 '80 narrow motor mount

PCH09
F1 '80 wide motor mount



F1 '80 assembled
narrow motor mount

PCH08-51z16 axle 51mm, bevel gears, Z16 crown

PCH08-51z17 axle 51mm, bevel gears, Z17 crown

PCH08-51z18 axle 51mm, bevel gears, Z18 crown



F1 '80 assembled
wide motor mount

PCH09-51z16 axle 51mm, bevel gears, Z16 crown

PCH09-51z17 axle 51mm, bevel gears, Z17 crown

PCH09-51z18 axle 51mm, bevel gears, Z18 crown

ONLY for
CAR07 cars



PCH10 F1 flat motor mount



PPI429o20-bg
9 teeth conical pinion
internal Ø: 2mm (2x)

FORMULA 1 Spare Parts

PMX01 F1 DFV-25K RPM
motor dual open/closed case sides



PGI2516-PI F1 plastic gear
with axle and spacer, Z25/Z16



PPI429o15 9 teeth pinion,
external \varnothing :4.2 mm
internal \varnothing :1.5 mm, brass (2x)



PMX01-k F1 DFV-25K RPM
motor dual o/c case sides, knurled shaft



PGI2516-bg F1 plastic bevel gear
with axle and spacer, Z25/Z16



PPI429o15-bg 9 teeth pinion,
conical pinion internal \varnothing :1.5 mm (2x)



PPA01 Set of 4 bushings
for F1 motor mounts



PPA02 Stopper
with M2xL2 mm hexagonal screw



PCH04 Motor mount screws
M1.4 x 2.5 mm, 4pcs.



PCH05 Metric screws
M2 x 3.8 mm, brass, 5pcs.



PCH07 Metric screws
M2 x 5 mm, brass, 5pcs.



PGS8016 F1 16 teeth gear with 51 mm axle

PGS8017 F1 17 teeth gear with 51 mm axle

PGS8018 F1 18 teeth gear with 51 mm axle

PGS8016-45 F1 16 teeth gear with 45mm axle

PGS8017-45 F1 17 teeth gear with 45mm axle

PGS8018-45 F1 18 teeth gear with 45mm axle

PGS8016-54 F1 16 teeth gear with 54mm axle

PGS8017-54 F1 17 teeth gear with 54mm axle

PGS8018-54 F1 18 teeth gear with 54mm axle

POLICAR

www.policar.it

POLICAR

www.policar.it

P-Banner-W

P-Banner-B

LOTUS 72 Spare Parts



PCS02t Lotus 72 chassis



PCS02b1 Lotus 72 body (type A)



PCS02b2 Lotus 72 body (type B)



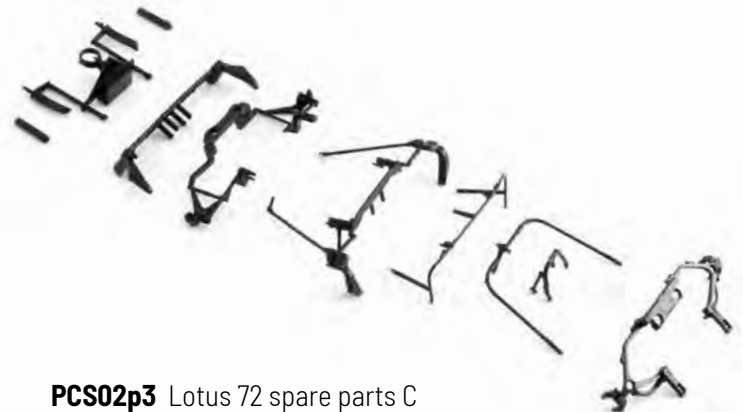
PCS02i Lotus 72 wheels inserts (2x + 2x)



PCS02p1 Lotus 72 spare parts A



PCS02p2 Lotus 72 spare parts B



PCS02p3 Lotus 72 spare parts C

LOTUS 72 Spare Parts



PCS02v Lotus 72 transparent parts



PCS02p4 Lotus 72 spare parts D



MARCH 701 Spare Parts



PCS04t March 701 chassis



PCS04i March 701 wheel inserts (2x + 2x)



PCS04b March 701 body

MARCH 701 Spare Parts

312 B2 Spare Parts

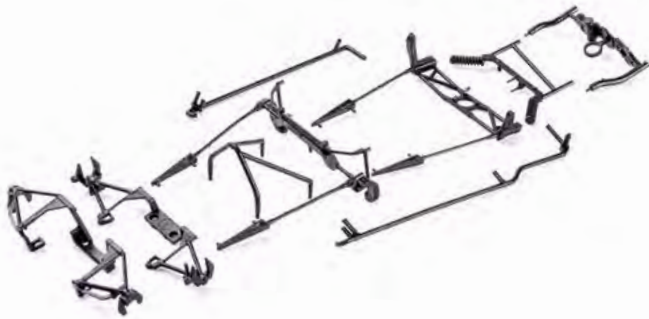


PCS04p1 March 701 spare parts A



PCS05t1 March 701 spare parts A

12



PCS04p2 March 701 spare parts B



13

PCS05t2 March 701 spare parts A



PCS04v March 701 transparent parts



PCS05v 312B2 transparent parts

312 B2 Spare Parts



PCS05b1 312B2 body type 1



PCS05p2 312B2 spare parts type B



PCS05b2 312B2 body type 2



PCS05p3 312B2 spare parts type C



PCS05p1 312B2 spare parts type A



PCS05i 312B2 kit wheel inserts (2+2+2)

MONOPOSTO

Spare Parts



PCS07t1a Monoposto chassis standard rev1



PCS07t2a Monoposto chassis digital version rev1



PCS07p1 Monoposto front wing clips (12pcs)



PCS07p2 Monoposto front suspension set



PCS07i Monoposto kit wheel inserts (2+2)



PCS07p Monoposto spare parts



PCS07b Monoposto body kit

FORMULA 1 Tyres

PPT1219C1

C1 compound,
F1 rear tyre for Ø16mm (eq. 15") wheels (4x)



PPT1219F22

F22 compound,
F1 rear tyre, slick, for Ø16mm (eq. 15") wheels (4x)



PPT1310G25 PPT1310C1

G25-C1 compound,
F1 rear tyre, slick, for Ø16mm (eq. 15") wheels (4x)



PPT1220C1

C1 compound,
F1 front tyre for Ø13.8mm wheels (4x)



PPT1224G25 PPT1224C1

G25-C1 compound,
F1 rear tyre, slick, for Ø13.8mm (eq. 13") wheels (4x)



PPT1354C1

C1 compound,
F1 front tyre for Ø13.8mm wheels (4x)



FORMULA 1 Wheels

PW16011724P

ex PWH1217-PI

PI Ø16x11.7mm F1 rear wheels, 0.8g (4x) - eq. 15"



PW16011724A

ex PWH1234-AI

AI Ø16x11.7mm F1 rear wheels, M2 grub, 1.8g (2x) - eq. 15"



PW13807921P

ex PWH1218-PI

PI Ø13.8x7.9mm F1 front wheels, 0.5g (4x)



PW13813519P

PI Ø13.8x13.5mm F1 rear wheels, 0.5g (4x) - eq. 13"



PW13813519A

AI Ø13.8x13.5mm F1 rear wheels, M2 grub, 1.8g (2x) - eq. 13"



PW13810504P

PI Ø13.8x10.5mm F1 front wheels, 0.5g (4x)



FORMULA 1 White kit

(not assembled)



20

- CAR02z** Lotus 72 white kit
- CAR04z1** March 701 white kit
- CAR05z** 312B2 white kit
- CAR05z1** 312B2 white kit type 2
- CAR08z1** P160 white kit
- CAR08z2** P153 white kit
- CAR09z** 126 C2 white kit

CARS Spare Parts

| | | MODEL | | |
|--------------------------|----------------------|--------|---------|-------------|
| | | 312PB | F40 | 330 P4/412P |
| CODE | | CAR01 | CAR03 | CAR06 |
| CHASSIS | | PCS01t | PCS03t | PCS06t |
| SPARE PARTS | | PCS01p | PCS03p | PCS06p |
| TRANSPARENT PARTS | | PCS01v | PCS03v | PCS06v |
| WHEEL INSERTS | | PCS01i | - | PCS06i |
| COCKPITS | POLYCARBONATE | - | PCS03cl | PCS06lx |
| | PLASTIC | - | PCS03cp | - |
| WHITE KIT | | - | - | CAR06z |
| BODY KIT | | KIT01 | - | PCS06b |



HOME RACERS

Spare Parts



HR01

Pickup set for Home Racers car



HR02

Copper braids for Home Racers car (4x)



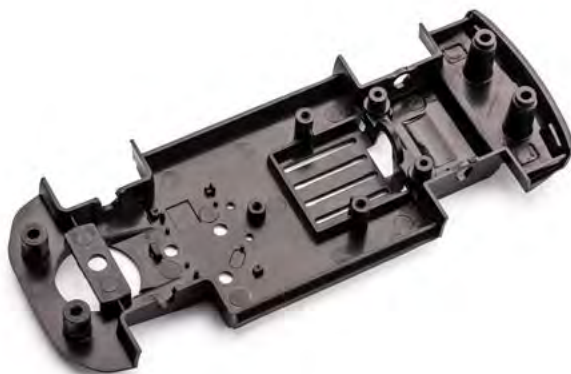
HR03

GT86 spare chassis



HR04

Polycarbonate cockpit for Policar Toyota GT86 - CT01



HR05

WRX STI spare chassis



HR06

Polycarbonate cockpit for WRX STI - CT02



HR08

V12 13.6K RPM motor 60g*cm spare motor for 'CT' cars

POLICAR

Track

miniature electric motor racing

POLICAR, the brand that was synonym of slot car racing in Italy in the 60's, returns with innovative solutions for a completely new track system. POLICAR's new design and ideas bring back the fun and excitement of slot car racing! Lanes are set apart by 9 cm, the ideal lane spacing for 1/32 racing, and the surface texture is good for rubber and sponge tyres alike. The 6 cm extra wide borders slide securely into the side of the track, and the guardrails are kept firmly in place. Bridges and ramps are easy and stable. Rails are made of stainless steel.



POLICAR TRACK

Racing Track System



P008-4
Full length straight, 358mm (4x)



P002-6
Straight border, 179mm (6x)

26



P012-1
Analog powerbase (1x)

27



P015-1
Analog powerbase with border for lane 1 and 2 (1x)



P023-4
Half length straight, 179mm (4x)



P016-1
Analog powerbase with border for lane 3 and 4 (1x)



P024-4

61.4 length straight, 61.4mm (4x)



P059-6

End border left (6x)



P061-6

61.4 straight border, 61.4mm (6x)



P060-6

End border right (6x)

28



P046-2

Polistil & Fleischmann
adapter, 61.4mm (2x)

29



P074-10

Locking clips for straights (10x)



P076-20

Intersection
locking clips (20x)



P075-10

Locking clips for curves (10x)



P006-2

Ninco adapter, 179mm (2x)



P014-2

R2 45° Curve (2x)



P007-4

Spare clips for Ninco adapter (4x)



P052-6

Inner border for R2 curve
22.5° (6x)



P054-6

Outer border for R2 curve
22.5° (6x)



P009-4

R1 45° Curve (4x)



P043-2

R2 22.5° Curve (2x)



P051-6

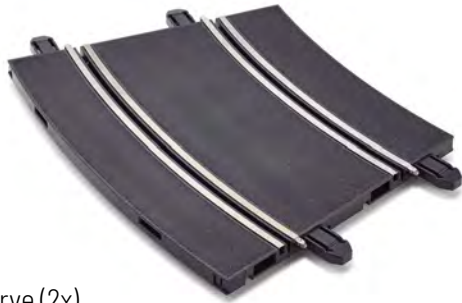
Inner border for R1 curve
12.5° (6x)



P053-6

Outer border for R1 curve
22.5° (6x)





P044-2
R3 22.5° Curve (2x)



P077-4
R5 11.25° Curve (4x)



P055-6
Inner border for R3 curve
22.5° (6x)



P056-6
Outer border for R3 curve
22.5° (6x)



P071-6
Inner border for R5 curve
(6x)



P072-6
Outer border for R5 curve
(6x)



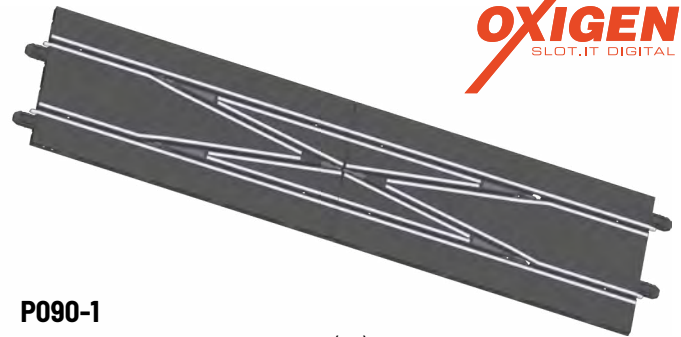
P045-2
R4 22.5° Curve (2x)



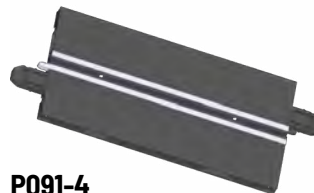
P057-6
Inner border for R4 curve
22.5° (6x)



P058-6
Outer border for R4 curve
12.5° (6x)



P090-1
oXigen double lane changer (1x)



P091-4
Single lane half length
straight, 179mm (4x)



P092-4
Single lane 61.4 length
straight, 61.4mm (4x)



P003EU-1
5-13.5V adjustable
power supply - EU



P003UK-1
5-13.5V adjustable
power supply - UK



P003US-1
5-13.5V adjustable
power supply - US



P003AU-1
12V power supply - AU



P028-1
Red controller (1x)



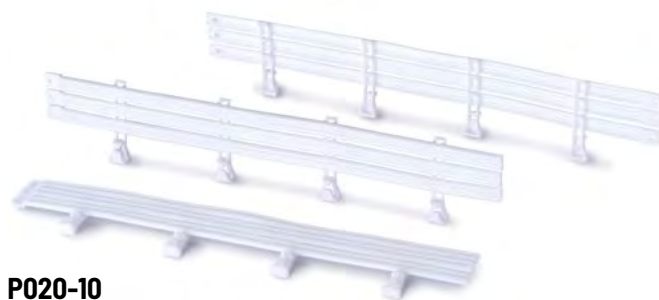
P029-1
Black controller (1x)



P018-1a
Banana to 3.5mm stereo jack adapter



P019-1
Polarity inversion cable



P020-10
Guardrail 25cm white - 10pcs



P020g-10
Guardrail 25cm grey - 10pcs

36



P073-6
1m Barrier and clips set (6x)
"To use without borders"



37



P010-4
Bridge set (4x)

POLICAR TRACK

Racing Track System



T001a

Subaru BRZ drift track - EU version

T001a-UK

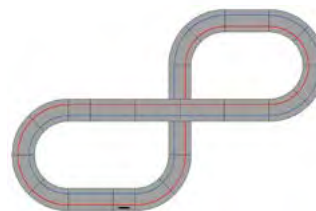
Subaru BRZ drift track - UK version

T001a-AU

Subaru BRZ drift track - AU version

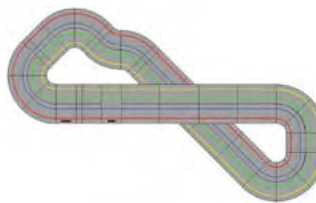
T001a-US

Subaru BRZ drift track - US version



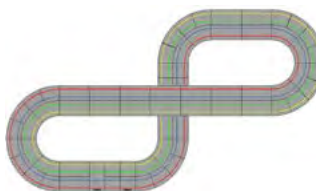
T002z / T002z-UK / T002z-AU / T002z-US

6.6m 2 lanes starter set - 2.5x1.6m assembled dimensions



T003z / T003z-UK / T003z-AU / T003z-US

6.5m 4 lanes starter set - 2.9x1.8m assembled dimensions



T004z / T004z-UK / T004z-AU / T004z-US

9.2m 4 lanes starter set - 3.8x2.2m assembled dimensions